

FIRE SERVICE AND PUBLIC SAFETY CATALOG



WORLDWIDE QUALITY INNOVATION RELIABILITY

PURELY THE RIGHT CHOICE



OVERVIEW

BAUER has been manufacturing high-pressure breathing air compressors for over 75 years. BAUER has earned its reputation as the world's foremost innovative designer and manufacturer of high-pressure compressors and purification systems as an industry leader.

BAUER COMPRESSORS, INC. of Norfolk, Virginia, was founded in 1976. BAUER Norfolk is headquarters for branch offices in Los Angeles, San Francisco, and Detroit.

We specialize in the following markets:

- › High-pressure breathing air
- › Industrial air
- › Plastics technology
- › Compressed natural gas (CNG)
- › Inert gas compression

BAUER San Francisco (BSF) is the west coast branch of BAUER COMPRESSORS USA, centrally located in Livermore, CA. We offer a service center, parts department and sales offices for the western United States. BSF services northern California, Nevada, and South Oregon. We also support a Southern California branch office in Anaheim and a dealer network throughout the western United States.

SERVICE & REPAIRS

Our Service department has maintained and repaired units of all sizes and manufacturers, including BAUER, Eagle, Ingersoll Rand, CompAir-Mako, American Bristol, and Scott. Whether at our facility or in the field, our service technicians are fully trained to handle any type of service, from an oil change to overhaul - from retrofit to rebuild.

MSA

All of our sales representatives are MSA C.A.R.E. certified technicians for SCBA field maintenance. This includes SCBA repairs, flow testing, and fit testing. We are also an MSA Authorized Instrument Service Center for maintenance and repair of portable gas detection instruments.

UNICUS® 4S

4 AND 5-STAGE ALL-IN-ONE HIGH-PRESSURE BREATHING AIR COMPRESSORS

A modern upgrade with the simplicity of analog controls; offering an aesthetically pleasing yet robust design found only in the UNICUS 4 All-In-One platform. The system is available from 5000 to 7000 PSIG with discharge capacities ranging from 13 SCFM charge rate to 26 scfm charge rate. Unsurpassed maintenance accessibility abounds as we have provided all access doors with snap pin technology – pull the pin and lift the door, no hand tools are required. Should you require accessibility to the back of the operations panel, no problem, we have your back, the panel tilts forward. All requisite panels are equipped with sound attenuated material. An integral rack built to accommodate four (4) storage cylinders is standard, along with the piping. Additionally, we provide two (2) ASME coded air storage cylinders as a part of the standard scope of supply. If you want to dress your unit up in concert with the Fire Department theme, ask about our Fire Edition package. When your department needs the best all-in-one compressor system on the market today and backed by our global network of service partners look to BAUER.

› **PRESSURE:**

Up to 7000 PSIG
(483 BAR)

› **CHARGING RATE:**

13 to 25 SCFM
(368 to 714 L/MIN)

› **POWER:**

10 to 20 HP
(7.5 to 15 kW)



STANDARD SCOPE OF SUPPLY

- › BAUER breathing air purification system with B-SECURUS
- › BAUER PLC based controller with 7" color HMI touchscreen display
- › NEMA 4 rated electrical enclosure with UL® listed control panel
- › Compressor low oil pressure and high temperature safety shutdowns
- › Emergency stop push button
- › Hinged cascade fill control panel with Lexan laminate air flow/fill schematic
- › Audible alarm on safety shutdowns
- › Inlet filter maintenance indicator
- › Automatic condensate drain system with non-corrosive condensate reservoir and integrated float sensor and automatic "Full" indication and compressor shutdown
- › Two (2) ASME code stamped air cylinders installed in an integral rack designed to hold four cylinders
- › Sound attenuating enclosure with slam-action latches and lift-off type hinges
- › NFPA 1900 2024 edition compliant 3 position containment fill station accommodates SCBA or SCUBA cylinders up to 31" overall length

SYSTEM FOOTPRINT

UN 4/13H-E1/E3 - UN 4/26-E3:

DIMENSIONS L X W X H inches (mm)

› 38" x 101" x 80" (2565mm x 965mm x 2032mm)

WEIGHT pounds (kg)

› 4350 - 4550 lb (1973 - 2064 kg)

AVAILABLE ACCESSORIES (FACTORY INSTALLED)

- › CO monitoring system
- › H₂S monitoring system with audible alarm
- › 100 ft high pressure cabinet enclosed hose reel
- › Additional air storage cylinders
- › Regulated (adjustable) panel mounted remote fill hose connection
- › Dual Fill/3 position
- › Tri Fill/3 position

VERTICUS® PLUS

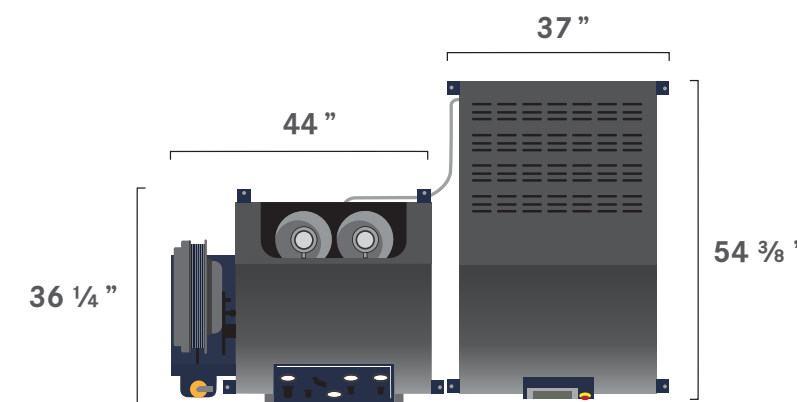
3 AND 4-STAGE MULTI-FUNCTIONAL HIGH-PRESSURE BREATHING AIR COMPRESSORS

The same package amenities found in the VERTICUS high-pressure breathing air compressor system, plus a free standing aesthetically pleasing multi-functional fill station module are combined to create the BAUER VERTICUS PLUS. BAUER'S performance-proven CFS5.5-2S NFPA-compliant containment fill station; two (2) bank dual-function cascade controls; integral air storage rack with two (2) UN/ISO code air storage cylinders; 3-way selector valve to select either air from the compressor or on-board air storage system all come together creating the ultimate fill station. Install the two (2) modules side by side as an all-in-one configuration or apart based on the installation site specifics. Flexibility is the key, look to BAUER to unlock the possibilities.



Fill station module showing optional hose reel

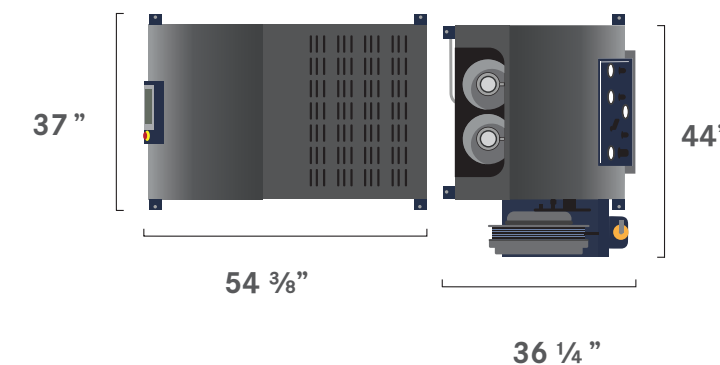
› CONFIGURATION 1



STANDARD SCOPE OF SUPPLY

- › BAUER breathing air purification system with B-SECURUS
- › BAUER PLC based controller with 7" color HMI touchscreen display
- › NEMA 4 rated electrical enclosure with UL® listed control panel
- › Compressor low oil pressure and high temperature safety shutdowns
- › Emergency stop push button and automatic start/stop control
- › Zero loss automatic condensate drain system with non-corrosive condensate reservoir and integrated float sensor and automatic "Full" indication and compressor shutdown
- › Interstage pressure gauges (locally mounted)
- › Vertically hinged front operations panel and lift-off side maintenance access doors
- › Inlet filter maintenance indicator
- › Unique hinged front operations panel

› CONFIGURATION 2



MINI UNICUS®

IT'S BACK. AND IT'S BUILT TO PERFORM.

The **MINI UNICUS®** returns by popular demand—bringing together dependable high-pressure performance, proven engineering, and a remarkably compact footprint designed for professionals who demand reliability without sacrificing valuable space. Built on the same uncompromising standards that define the Unicus® platform, the MINI UNICUS® delivers confidence, consistency, and control in a space-saving package that fits seamlessly into today's demanding operational environments.

Engineered where performance and efficiency matter most, the MINI UNICUS® is the ideal solution when floor space is limited but expectations are not. From fire and public safety facilities to industrial operations, this system provides the power and durability professionals rely on day after day, fill after fill.



› Shown with optional hose reel and remote fill

- › **PRESSURE:**
Up to 6000 PSIG
(414 BAR)
- › **CHARGING RATE:**
8.4 to 13 SCFM
(238 to 368 L/MIN)
- › **POWER:**
7.5 to 10 HP
(5.6 to 7.5kW)



› Panels removed to show compressor and filtration placement



OPTIONAL

MINI UNICUS®
FIRE EDITION
OPTIONAL FIRE EDITION PAINT SCHEME
(SHOWN HERE)

STANDARD SCOPE OF SUPPLY

- › BAUER breathing air purification system with B-SECURUS
- › BAUER PLC based controller with multicolor touchpad display
- › NEMA 4 rated electrical enclosure with UL® listed control panel
- › Compressor low oil pressure and high temperature safety shutdowns
- › Emergency stop push button
- › Hinged fill control panel with Lexan laminate air flow/fill schematic
- › Priority refill system with storage bypass valve
- › Automatic condensate drain system with non-corrosive condensate reservoir and integrated float sensor. Automatic “Full” indication and compressor shutdown
- › Two (2) UN code stamped air cylinders installed in an integral rack
- › Sound attenuating enclosure with slam-action latches and lift-off type hinges
- › NFPA 1900: 2024 Compliant Two Position Containment Fill Station accommodates SCBA or SCUBA cylinders up to 31” overall length
- › **BAUER B-DETECTION-L** CO monitor
- › **BAUER CONNECT®** IoT cloud connectivity through the **BAUER FIRE SOLUTIONS™** app. Included gratis for 5-years coincidental with BAUER's 5-year Municipal Warranty

AVAILABLE ACCESSORIES (FACTORY INSTALLED)

- › Regulated (adjustable) remote fill hose connection to include high pressure hose reel and 100’ of 6000 psig rated high pressure hose
- › ASME air storage cylinders in lieu of standard UN Bottles
- › Regulated (adjustable) panel mounted remote fill hose connection

DIMENSIONS L X W X H inches (mm)

- › **Base Model:** 72 x 38 x 72 (1829 x 966 x 1829)
- › **With optional hose reel:** 84 x 38 x 72 (2134 x 966 x 1829)

WEIGHT pounds (kg)

- › **Base Model w/ ASME:** 2875lbs (1305 kgs)
- › **With optional hose reel and ASME:** 3000lbs (1361 kgs)
- › **Base Model w/ DOT:** 2445lbs (1110 kgs)
- › **With optional hose reel and DOT:** 2570lbs (1166 kgs)

AVAILABLE ACCESSORIES (NOT INSTALLED)

- › Kit-0837 CO Calibration Kit

TECHNICAL DATA

Model	Charging Rate ¹		FAD ²	Number of Stages	Motor		RPM	Purification System
	SCFM	L/MIN			HP	kW		
6000 PSIG (414 BAR)								
MINI-UNI/08-E1	8.4	238	7	3	7.5	5.6	1250	P2 B-SECURUS
MINI-UNI/08-E3	8.4	238	7	3	7.5	5.6	1250	P2 B-SECURUS
MINI-UNI/10-E1	9.7	275	8.1	4	7.5	5.6	1180	P2 B-SECURUS
MINI-UNI/10-E3	9.7	275	8.1	4	7.5	5.6	1180	P2 B-SECURUS
MINI-UNI/13-E1	13	368	10.8	4	10	7.5	1420	P2 B-SECURUS
MINI-UNI/13-E3	13	368	10.8	4	10	7.5	1420	P2 B-SECURUS

1) Based on recharging an 80 cubic foot tank from 500 to 3000 psig. 2) Compressor capacity referenced to standard inlet conditions. E1 = Single phase electric, 230 VAC/60 Hz. E3 = Three phase electric, 230/460 VAC/60 Hz. Other voltages available on request.

OPTIONAL ACCESSORIES

Item	Description	Part Number
0001	Each additional ASME 6000 PSIG cylinder with relief valve and mounting clamps	/CYL-9/6K
0002	Panel mounted remote fill hose connection. Includes bulkhead fitting, adjustable regulator for up to 6000 PSIG service, gauge, isolation valve and quick connect/disconnect fitting (hose no included)	/RF/REG
0003	MU remote fill hose connection including adjustable regulator for up to 6000 PSIG service, gauge and isolation valve connected to a cabinet enclosed hose reel with 100 feet of hose rated for 6000 PSIG service	MU/RF/REL-12
004	Fire Edition Paint Scheme	
005	Calibration Gas	Kit-0837

VERTECON® SE

3 OR 4-STAGE OPEN HIGH-PRESSURE BREATHING AIR COMPRESSORS

Pre-configured and built to stock, the VERTECON® SE facilitates fast delivery with BAUER's legendary breathing air reliability in a compact, space-saving package. With the new BAUER B-CONTROL HMI and standard CO monitoring, the VERTECON SE is more than a compressor; it's peace of mind for the men and women who rely on safe breathing air every day.

SYSTEM BENEFITS

- › Compact footprint – saves valuable station space without compromising performance
- › New B-CONTROL HMI – intuitive touchscreen with advanced monitoring & diagnostics
- › Integrated BAUER CO monitoring provides continuous protection
- › BAUER Securus™ purification cartridge moisture monitoring, standard
- › Trusted BAUER reliability and performance built into every system

- › **PRESSURE:**
Up to 6000 PSIG (414 BAR)
- › **CHARGING RATE:**
8.4 to 18 SCFM (237 to 510 L/MIN)
- › **POWER:**
7.5 to 15 HP (5.6 to 11 kW)



VERTECON® SE UNITS

Model	Charging Rate ¹		Number of Stages	Motor		FAD ²	RPM	Purification System
	SCFM	L/MIN		HP	kW			
VERTECON SE COMPRESSOR 6000 PSIG (414 BAR)								
VERTECON SE / 8-E1	8.4	238	3	7.5	5.6	7.5	1350	P2 B-SECURUS
VERTECON SE / 8-E3	8.4	238	3	7.5	5.6	7.5	1350	P2 B-SECURUS
VERTECON SE / 13-E1	13	368	4	10	7.5	11	1420	P2 B-SECURUS
VERTECON SE / 13-E3	13	368	4	10	7.5	11	1420	P2 B-SECURUS
VERTECON SE / 18-E3	18	510	4	15	11	13.5	1305	P5 B-SECURUS

1) Based on recharging an 80 cubic foot tank from 500 to 3000 psig. 2) Compressor capacity referenced to standard inlet conditions. 3) All listed pricing for the VERTECON® SE is Dealer Net Pricing and not subject to additional Distributor discounts. E1= Single phase electric, 230 VAC/60 Hz. E3=Three phase electric, 208 VAC/60 Hz. Dimensions and weight are approximate and are subject to change.

OPTIONAL ACCESSORIES - VERTECON SE

Item	Description
0001	BAUER CONNECT® - Subscription based service. Includes lease for hardware, wireless 5G service, BAUER Cloud™ connectivity. Annual contract required

CFS5.5®

CONTAINMENT FILL STATIONS FOR AIR AND OXYGEN

Choose from a complete line of containment fill stations suitable for SCBA or SCUBA cylinders. Whether you need a 3, 2 or single-position fill station, be assured each model was proof tested by an independent lab to safely contain fragments of a ruptured 5500 PSI 110 cu. ft. SCBA cylinder at maximum operating pressure in accordance with the 2024 Edition of NFPA 1900. Ask about our custom options to tailor a model to your specific requirements.



› CFS5.5-3S/Package A
Shown with Cascade controls and regulated remote fill



› CFS5.5-3S



› CFS5.5-2S/ Package A



› CFS5.5-2S



› CFS5.5-1S



› OXY-2S*

- › **FILL POSITIONS:**
 - One, two, or three
 - Mobile or Stationary
- › **CUSTOM DESIGNED SYSTEM:**
 - Dual function cascade controls (2 or 3 position)
 - Remote fill outlets

NFPA
1900:2024
COMPLIANT

STANDARD SCOPE OF SUPPLY

- › Complete with cylinder scuff guard, SCBA fill connection, fill hose and bleed valve
- › Fill control panel with adjustable regulator, relief valve, manual control valve and pressure gauge for each fill position ("S" version only)
- › CFS5.5 "M" versions designed for use with remote air distribution panel
- › Mounting base is standard on "S" version and optional on "M" version
- › Convenient door handle actuation
- › Bottom venting
- › Reduced footprint

MOBILE PACKAGE

When your department requires the need for a mobile breathing air truck, look no further than BAUER. For 75-years, BAUER has been the industry leader in high-pressure breathing air compressor systems. We start with critical components designed, engineered, and manufactured in our factories. Our sales & engineering staff work closely with your truck manufacturer of choice to ensure the entire system meets your department's critical needs. Your closest factory authorized BAUER Partner is brought into the equation to maximize customer satisfaction and support with the product after the truck has been delivered to you.



CUSTOM DESIGNED SYSTEM:

- › Up to 7,000 psi
- › 13, 18, 25, and 35 SCFM Charging Rate
- › 10HP, 15HP, 20HP, and 30HP
- › Electric and diesel driven
- › UN and ASME air storage cylinders
- › Custom air flow control panels
- › NFPA 1900 Approved, 3rd Party Tested Containment Fill Stations
- › Proven performance with over 35 years of experience



TCOM® TRAILER

4 AND 5-STAGE HIGH-PRESSURE MOBILE BREATHING AIR RECHARGING SYSTEMS

When your needs require a rugged trailer built for the fire service, rather than a cheap lightweight imitation, look to BAUER. Our TCOM TRAILER designs are powered by a unique diesel/electric dual drive system. Each system is equipped with a 2-position containment fill station, an enclosed fill control panel, four ASME storage cylinders and integral SCBA storage for up to twelve SCBA cylinders all incorporated onto a heavy duty frame built by BAUER.



- › **PRESSURE:**
6000 PSIG (414 BAR)
- › **CHARGING RATE:**
3 to 25.2 SCFM
(368 to 714 L/MIN)
- › **ELECTRIC MOTOR:**
10 to 20 HP (7.5 to 15 kW)
- › **DIESEL ENGINE**
(EPA Tier 4 Compliant):
27 to 37 HP (20 to 27 kW)

TCOM LITE®

4 AND 5-STAGE HIGH-PRESSURE MOBILE BREATHING AIR RECHARGING SYSTEMS

If your needs do not require the amenities of the full-sized TCOM® look to the TCOM LITE®. Designed and manufactured by BAUER for the budget minded customer, the TCOM LITE® utilizes a multi-stage air-cooled compressor coupled to a water-cooled diesel engine (EPA Tier 4 compliant). Our aesthetically pleasing enclosure protects the compressor system from inclement weather and road debris and the heavy-duty frame provides a firm foundation for up to four air storage cylinders. The single-axle design enhances mobility with most smaller vehicles.



- › **PRESSURE:**
6000 PSIG (414 BAR)
- › **CHARGING RATE:**
13 to 25.2 SCFM
(368 to 714 L/MIN)
- › **POWER:**
18 to 27 HP (13.4 to 20 kW)

BAUER FIRE SOLUTIONS



INTELLIGENT. CONNECTED. MISSION-READY.

PLATFORM CAPABILITIES

- › Real-Time Equipment Monitoring
- › Predictive & Usage-Based Maintenance
- › Comprehensive Asset Tracking
- › Continuous Air Quality Monitoring
- › Automated Alerts & Remote Diagnostics
- › NFPA & OSHA Compliance Support
- › Cloud-Based Data Access & Reporting

BAUER Fire Solutions™ delivers a fully integrated, IoT-driven ecosystem engineered to optimize every critical component of modern fire service operations. Designed specifically for the demands of emergency response environments, the platform centralizes equipment monitoring, compliance management, and operational intelligence into one seamless system.

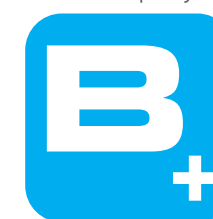
By combining advanced sensor technology, real-time analytics, and secure cloud connectivity, BAUER Fire Solutions™ enables departments to enhance readiness, improve safety, reduce downtime, and streamline regulatory compliance; all through a single, intuitive interface.

When lives depend on peak performance, BAUER Fire Solutions™ ensures your operations are safer, smarter, and more efficient.



B-DETECTION™ CONTINUOUS BREATHING AIR QUALITY MONITORING

B-DETECTION™ is BAUER's patented, high-precision compressed breathing air monitoring system. Engineered for reliability and accuracy, it continuously analyzes air quality to ensure compliance with applicable safety standards. With automated monitoring through the BFS Cloud and instant alerts, B-DETECTION™ helps safeguard personnel while reducing manual testing requirements and ensuring consistent air purity.



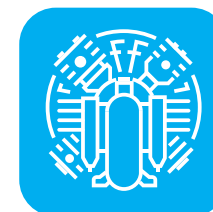
SENSOR OPTIONS INCLUDE:

- › Carbon Monoxide (CO)
- › Carbon Dioxide (CO₂)
- › Oxygen (O₂)
- › Moisture (H₂O)
- › Volatile Organic Compounds (VOC – oil/hydrocarbons)
- › Particulate monitoring (coming soon)



BAUER CONNECT® Smart Compressor Management

BAUER CONNECT® compressor management enables secure remote monitoring of compressor systems by both the customer and their chosen BAUER Authorized Service Provider. By leveraging operational data, departments can transition from reactive repairs to proactive maintenance strategies; extending equipment life and maximizing reliability.



KEY BENEFITS:

- › Real-time performance data visibility
- › Usage-based maintenance scheduling
- › Remote alarm and fault monitoring
- › Faster service response times
- › Reduced downtime and operating costs



BAUER RFIDPRO™ SCBA CYLINDER MANAGEMENT SYSTEM

BAUER RFIDPRO™ is a subscription-based SCBA cylinder management system designed to improve safety, accountability, and regulatory compliance throughout the cylinder lifecycle.

The system enhances the safety of the SCBA cylinder filling process while supporting compliance with governmental and industry standards, including **NFPA 1989 & OSHA 1910.134**. RFIDPRO™ also functions as a powerful inventory management solution, allowing fire departments to monitor and manage their entire SCBA cylinder inventory in real time.



CORE CAPABILITIES:

- › Real-time cylinder status identification
- › Location tracking across facilities
- › Automated inspection and testing records
- › Digital documentation for compliance reporting
- › Complete inventory visibility

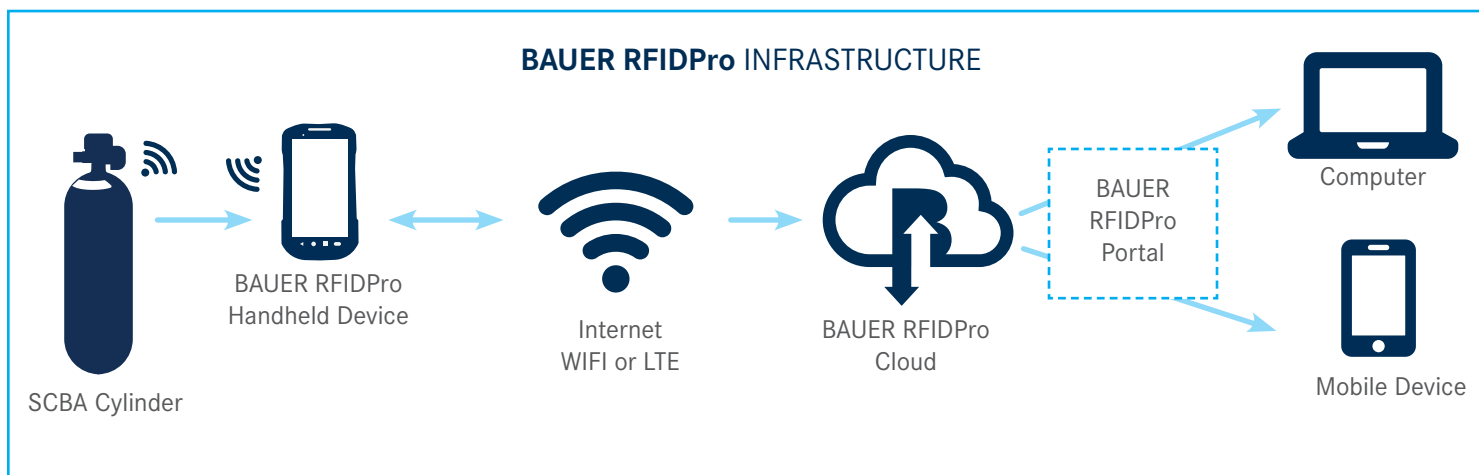
SCAN TO LEARN MORE



BAUER RFIDPro®

The BAUER RFIDPro SCBA Cylinder Management System is a subscription service which provides fire departments with a system designed to improve the safety of the SCBA cylinder filling process as well as provide compliance with all of the governmental reporting requirements such as NFPA-1989 and OSHA-1910.134 associated with the cylinder management process.

The system also serves as a powerful inventory management tool, helping fire departments identify the status and track the location of their entire SCBA cylinder inventory in real-time.



STANDARD FUNCTIONALITY

BAUER RFIDPro HANDHELD DEVICE

- › Allows new SCBA cylinder registration through the BAUER RFIDPro handheld device or directly through the BAUER RFIDPro customer portal
- › Guides the cylinder fill operator through the entire SCBA cylinder fill process to ensure that all required steps are followed in sequence and performed in a safe manner
- › Alerts the cylinder fill operator if an SCBA cylinder is expired, past due on hydro testing or inactive due to failed inspection.
- › Sends push and e-mail notifications to responsible fire department personnel in advance of cylinder expiration or hydro past due date as well as when a cylinder fails inspections
- › Automatically logs every aspect of the SCBA cylinder fill process and documents all required NFPA-1989 criteria including time and date stamp, operator ID, cylinder inspection process and recorded fill pressure
- › Allows for “Guest Fill” logging of cylinders which are the property of another fire department
- › Handheld device can read both bar code and RFID tags. BAUER provides an RFID tag retrofit kit for cylinders which do not have embedded RFID tags. There is no limit to the number of SCBA cylinders or decentralized locations
- › Standard WIFI or optional LTE connectivity provides real-time communications with the BAUER RFIDPro™ Cloud
- › Offline functionality allows recording of data when WIFI or LTE signal is not available

BAUER RFIDPro CLOUD

- › Provides all required documentation and reports required by NFPA-1989 and OSHA-1910.134
- › Easy-to-use customer portal provides full administrative functionality including complete SCBA inventory management and reporting
- › Secure cloud-based data storage unique to each customer ensure data integrity and compliance with data retention requirements. SSL data communication encryption between the RFIDPro server and client along with SHA-256 password encryption with optional two-factor password authentication provide the latest in state-of-the art network security



- 1 The BAUER RFIDPro handheld device performs all of the required functions in the field pertaining to the fill process
- 2 SCBA cylinder management is made easy through the user-friendly BAUER RFIDPro customer portal

SYSTEM BENEFITS

- › Assures fire department compliance with NFPA-1989 and OSHA-1910.134 associated with the SCBA cylinder fill documentation requirements
- › Facilitates 100% data accuracy by automatically recording and uploading all SCBA fill data to the cloud thus eliminating errors through manual data entry
- › Allows fire department administrators keep track and manage every aspect of their valuable SCBA cylinders in real-time including cylinder expirations, hydrotesting and repairs
- › Increases fire department personnel safety and efficiency by guiding them through the proper fill process and eliminating the workload associated with manually logging SCBA fills and inspections
- › Greatly reduces liability for fire departments associated with no or incomplete records, erroneous data or unsafe SCBA filling

B-DETECTION PLUS™



CONTINUOUS ALL-IN-ONE AIR QUALITY MONITORING

Ensures 24/7 compliance with the NFPA 1989-19 Breathing Air Quality Standard. The BAUER B-DETECTION™ PLUS continuous air quality monitoring system measures the quality of the breathing air produced by the compressor system in real time, every time the compressor is running. The system measures CO, CO₂, O₂, N₂, Dew Point and VOC content and compares the actual values vs. NFPA Standards for Breathing Air.

BAUER's patented Bump Testing Feature assures that all B-DETECTION sensors are checked automatically for accuracy at pre-prescribed intervals. All Bump Test data is automatically logged into the BFS™ Cloud for permanent record keeping.

Prevents contaminated air from ever reaching your SCBA. If at any time the NFPA prescribed air quality values are out of spec, the B-DETECTION™ control unit displays a visual warning and prevents contaminated air from passing into the SCBA or storage cylinders. At the same time, the app automatically sends out push notifications to fire department designated personnel via SMS text and / or e-mail.

Cloud-connected with automatic record keeping. All measured air quality metrics are continuously uploaded to the BAUER B-DETECTION™ cloud-based app where they become proof of compliance with the applicable Breathing Air Standards of NFPA 1989-19. Customers are able remotely monitor their compressors air quality via the app and to run historical reports of air quality going back 5 years. Records are kept for a total of 10 years.

B-Detection™ PLUS is also available in a mobile version.

SYSTEM FOOTPRINT

DIMENSIONS L X W X H inches (mm)

- ▶ 32.59" x 15.88" x 82.69"
(827.79mm x 403.35mm x 2100.33mm)

WEIGHT pounds (kg)

- ▶ 375 lb (170.10 kg)



TECHNICAL DATA

B-DETECTION PLUS		
	B-DETECTION PLUS i/s	B-DETECTION PLUS m
MEASUREMENT VALUES	Carbon dioxide (CO ₂), carbon monoxide (CO), oxygen (O ₂), absolute humidity ¹ , VOC ¹	Carbon dioxide (CO ₂), carbon monoxide (CO), oxygen (O ₂), absolute humidity ¹ , VOC ¹
MEASUREMENT METHOD		
CO ₂	Nondispersive infrared spectroscopy (NDIR)	Nondispersive infrared spectroscopy (NDIR)
CO, O ₂	Electrochemical	Electrochemical
Absolute humidity	Via dew point	Via dew point
VOC (oil)	Photoionization detector (PID)	Photoionization detector (PID)
MEASUREMENT VALUES AND MEASUREMENT ACCURACY ²		
CO ₂	0- 2,000 ppm ± 2.5 % Full scale	0- 2,000 ppm ± 2.5 % Full scale
CO	0-25 ppm ± 2 % of measurement range final value	0-25 ppm ± 2 % of measurement range final value
O ₂	0 %-40 % O ₂ ± 1 % of measurement range final value	0 %-40 % O ₂ ± 1 % of measurement range final value
Dew-point	-94°F to 140°F / 10-40,000 ppm ± 35.6°F / 1 ppm + 20% of displayed value	-94°F-140°F / 10-40,000 ppm ± 35.6°F / 1 ppm + 20% of displayed value
VOC (oil)	0 -1 ppm (based on isobutene as calibration gas)	0-1 ppm (based on isobutene as calibration gas)
TECHNICAL SPECIFICATIONS		
Permissible operating temp	41°F-113°F	41°F-113°F
Operating voltage	Integrated: 24 VDC; stand-alone: 100-250 VAC, 50/60 Hz	90 - 260 VAC, 50/60 Hz
Flow rate	0.018-.053 cfm; dew point sensor: 0.071-0.071 cfm	0.018-.053 cfm; dew point sensor: 0.071-0.071 cfm
Weight	Integrated: 4.5lbs ; stand-alone without AIRBOX: 15.65 lbs. ; AIRBOX (450 bar): 30.86 lbs (41.89 lbs.); Test gas box (with cylinder): 15.21 lbs. (26.23 lbs.)	17.36 lbs (standard version) 20.50 lbs (full version excluding adapter)
Dimensions W x H x D (inches)	Integrated: 8.74 x 11.73 x 3.35; Stand-alone: 18.19 x 13.94 x 7.24	18.27 in x 14.04 x 7.09 in
Max system pressure	Optional: 6526 psig	-
Max permissible compressor charge rate ³	30 cfm	Permissible operating pressure: 58 - 6090 psig
SYSTEM TEST/CALIBRATION		
Visual inspection and leak test	Monthly	Monthly
Functions check ⁴	Min. Quarterly	Min. Quarterly
System check	Annually	Annually
Calibration	CO, CO ₂ , O ₂ , VOC sensor: As required and after replacing sensor; dew point sensor: every 24 months	CO, CO ₂ , O ₂ , VOC sensor: As required and after replacing sensor; dew point sensor: every 24 months

¹ Optional extra

² Accuracy valid at max. +/- 10 ° C deviation from calibration temperature.

³ Higher charging rate on request

⁴ Includes test with test gas; kit with test gas cylinders and pressure reducer (flow meter) available from BAUER COMPRESSORS



BAUER Compressors provides comprehensive service solutions to fire departments throughout California, supporting the performance, safety, and compliance of critical equipment. Our certified technicians deliver mobile SCBA flow testing, on-site inspections, and preventative maintenance to ensure all equipment meets current NFPA standards and operates at peak reliability. With detailed reporting, quick turnaround times, and service programs tailored to each department's needs, BAUER helps minimize downtime while keeping crews mission-ready. In addition, BAUER supports compliance and maintenance of gear care equipment, ensuring departments maintain safe, effective, and regulation-compliant operations across all aspects of their equipment.

CALIFORNIA FIRE SERVICES



EXTRACTOR SERVICE



MSA SERVICE

The "Turn Key" PPE Extractor Solution		
Exclusive for the Fire Service – Complete, Compliant, and Ready from Day One		
01	Needs Assessment	We evaluate your department's specific requirements to ensure you purchase the correct extractor; the right capacity, programming, and configuration for your operation.
02	Pre-Site Inspection	Before equipment arrives, a Bauer representative inspects your facility to confirm proper utility connections, space requirements, and installation readiness.
03	Installation Coordination	We work directly with Alliance Laundry to schedule and coordinate your professional installation; you won't need to manage multiple vendors.
04	On-Site Installation Support	A Bauer representative is present on the day of installation to oversee the process and ensure everything is completed to our standards.
05	NFPA 1850 Programming	Your extractor is programmed to full NFPA 1850 compliance upon installation; cycle configurations, temperatures, and settings aligned to the standard.
06	Seko Injection System	We install a Seko Automatic Chemical Injection System with 5-gallon bucket level monitoring, ensuring precise, consistent chemical delivery every cycle.
07	Chemicals Provided	All necessary chemicals for washing and disinfecting your PPE are provided; ready for use on day one, with no additional sourcing required.

Extractor Service & Compliance		
Professional servicing for all major extractor brands – keeping your gear clean and your department compliant		
01	Equipment Evaluation	A thorough review of your existing extractor; assessing its current condition, operational status, and overall performance to identify any issues before they become problems.
02	NFPA 1850 Compliance Audit	We verify whether your current wash programs meet the most recent edition of NFPA 1850; and identify exactly what needs to change if they don't.
03	Wash Cycle Programming	Complete reprogramming of your extractor's wash cycles to ensure full NFPA 1850 compliance; correct temperatures, cycle times, and configurations for PPE care.
04	Automatic Injection Systems	Ensure injection system is functioning correctly and properly calibrated. Install chemical level monitoring system. Let's user know that the washing chemicals are getting low and should be replaced, this will ensure precise, consistent chemistry every wash cycle.
05	Scheduled Preventive Maintenance (PM)	Ongoing, scheduled maintenance programs to keep your extractor operating at peak performance; reducing unexpected downtime, extending equipment life, and ensuring continued NFPA 1850 compliance between service visits.

* NFPA 1850 governs the selection, care, and maintenance of protective ensembles for the fire service. Gear washed on non-compliant programs can retain carcinogens and biological contaminants, posing long-term health risks to your personnel. Bauer ensures your extractor meets the current standard; regardless of make. Compliance Matters.

- › Mobile flow testing service for SCBA's
- › Certified SCBA flow testing performed by trained service technician
- › Ensures all equipment meets NFPA compliance standards
- › Comprehensive inspection of SCBA performance and functionality
- › On-site service available to minimize department downtime
- › Detailed reporting provided for each unit tested
- › Preventative maintenance to extend equipment life and reliability
- › Quick turnaround times to keep crews operational and ready
- › Service tailored to meet individual department needs
- › Support for maintaining firefighter safety and equipment readiness





MSA

Established in 1914, MSA Safety Incorporated is the global leader in the development, manufacture and supply of safety products that protect people and facility infrastructures. Many MSA products integrate a combination of electronics, mechanical systems and advanced materials to protect users against hazardous or life-threatening situations. The company's comprehensive product line is used by workers around the world in a broad range of markets, including the oil, gas and petrochemical industry, the fire service, the construction industry, mining and the military. MSA's core products include self-contained breathing apparatus, fixed gas and flame detection systems, portable gas detection instruments, industrial head protection products, fire and rescue helmets, and fall protection devices.



G1 SCBA – XR

MSA G1 Breathing Apparatus designed for your safety and comfort. The G1 SCBA offers integrated and enhanced solutions to exceed your needs today as well as years into the future.

- › Facepiece is lightweight and compact: no electronics needed
- › Control module provides dual color LCD and analog displays
- › Improved visibility through buddy lights and reflective material
- › Heads Up Display (HUD) shows remaining cylinder pressure in 4 increments via colored LEDs
- › Electronic communications are integrated into every unit
- › Improved ergonomics with the adjustable lumbar pad
- › Central power system for all electronics - one rechargeable battery
- › Threaded or quick connect cylinder attachment
- › Integrated technology for future expansion
- › Customizable - Built to meet your specific needs
- › SCBA to two-way radio voice communication system via Bluetooth technology



G1 SCBA NO PASS (HAZ MAT)

- › All the features and benefits of the G1 SCBA without the PASS alarms
- › Visual alerts remain in place
- › Enhanced communication within a Level A suit
- › NFPA 1981 Compliant
- › Easily retrofitted for PASS to meet NFPA 1982



G1 RESCUEAIRE II PORTABLE AIR-SUPPLY SYSTEM

The RescueAire II Portable Air-Supply System meets the needs of Rapid Intervention Teams (RITs). System consists of lightweight carbon-wrapped cylinder. Quick-Fill System and ExtendAire System for emergency breathing and MMR regulator, supported by flame- and heat-resistant harness.



CUSTOM LOGO CYLINDERS

For easy-to-read cylinder identification, MSA can customize the G1 Cylinder to have a department logo wrapped under the clear coat of the cylinder. This customization can be done by either a reflective or paper band in single or multi-color.



ECLIPSE CYLINDERS

The Eclipse Cylinder is a new option for the G1 SCBA that provides an exciting, sleek black finish. The Eclipse Cylinders incorporate a lightweight and streamlined design and are available in 4500 psi with 30-minute and 45-minute Low Profile rated service duration.

STANDARD, LIGHTWEIGHT CYLINDERS

MSA Standard, Lightweight Carbon Cylinders (known as SuperLite Cylinders) are a staple in the fire service. Available in 2216, 4500, and 5500 psi, these cylinders are durable and lightweight.



G1 RIT SYSTEM

MSA G1 RIT System has everything needed for RIT response. Internal pneumatics include G1 RIT System quick-connect pressure reducer that mounts directly onto user-supplied SCBA cylinder. Two pneumatic supply lines are provided. All G1 RIT System pneumatics are stored in durable rescue bag constructed from Ultra-Tough Iron Cloth and features Heat-Shield Skid Plate. Innovative access-hatch provides quick, easy access to spare facepiece and cylinder valve assembly.



INTEGRATED THERMAL IMAGING CAMERA

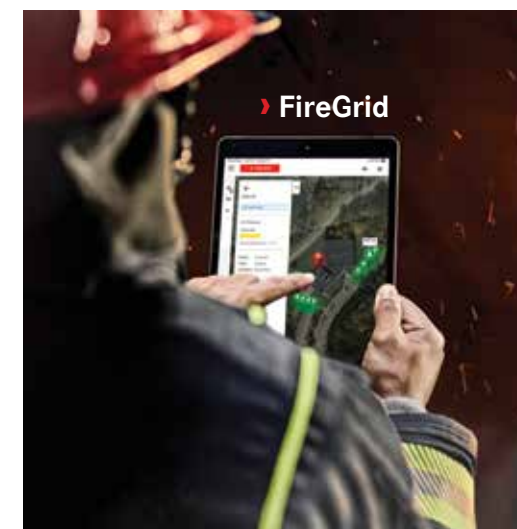
THE FIRST AND ONLY TIC INTEGRATED DIRECTLY INTO THE SCBA

The MSA G1 SCBA with Integrated Thermal Imaging Camera provides EVERY firefighter with the ability to see within dark and smoke-filled environments, aiding in your operation's speed and effectiveness from the initial 360, to working the fire, overhaul and rescue. This sight is provided through a thermal imaging camera that is integrated into the G1 SCBA Control Module, eliminating the need to carry additional equipment and the concern of snag hazards.

- › No additional bulky equipment added to your facepiece or hanging from your face
- › Compatible with all G1 SCBA via simple field upgrades
- › Powered by the G1 SCBA's single integrated power source – never check multiple battery locations again
- › Single button functionality allows for simple, intuitive use

TAKE ADVANTAGE OF THE LATEST TECHNOLOGY

- › Lightweight – only adds 4.2 oz. compared to standard G1 Control Module
- › Up to five user-selectable palettes – 10+ additional palettes available via MSA A2 Software
- › 200 x 176 resolution ensures crystal clear images
- › Compliant to the 2018 version of the NFPA 1981 and 1982 standards
- › A full five-year warranty on thermal imager – additional 10 years extended warranties available



FIREFIGHTING ASSISTING SEARCH TECHNOLOGY (F.A.S.T.)

F.A.S.T. combines direction and distance information with thermal imaging to help find separated teammates and decrease response time.

› PERSONAL THERMAL IMAGING

Personal thermal imaging with edge detection identifies hot spots and ventilation points, improving situational awareness and making it easier to navigate through environments with low visibility.

› STAY CONNECTED

A direct cloud connection enables an always-connected experience for individuals on-scene and remote. LUNAR's integrated LTE-M allows for connection to FireGrid—and easily accessible cloud-based software providing data insights all in one place.

› ACCOUNTABILITY FOR EVERYONE

With advancements in technology, accountability in fire service can go beyond how we think of it today, extending to visibility of all users, equipment maintenance, and incident reporting. With LUNAR, these tech elements are all wrapped into one device that each firefighter can have at all times.

FIREGRID

FireGrid is an easily accessible cloud-based software platform with features supporting monitoring, reports, and inventory management. The combination of these modules improves firefighter safety by increasing a department's capability for managing products, people, and processes.

FireGrid Remote Monitoring is a web-based, live monitoring, read-only view of active fire scenes from any location. It offers a second set of eyes and an option for departments that may not always have on-scene local command support.

HUB

The MSA HUB provides a wireless gateway to the cloud, enabling wireless on-scene data for local and remote incident command for additional eyes on the scene and a more seamless post-incident evaluation.





CAIRNS FIRE HELMETS

REMOVABLE AND WASHABLE SOFT GOODS

Now, every MSA Cairns Fire Helmet offers only removable, washable soft goods, making it easier for firefighters to comply with cancer prevention directives, like those recommended by the Firefighter Cancer Support Network (FCSN).

REMOVABLE CHINSTRAPS

MSA Cairns will offer removable, replaceable, and washable chinstraps on ALL MSA Cairns Fire Helmets. The new removable chinstraps maintain alignment with cancer prevention directives recommended by the Firefighter Cancer Support Network (FCSN).

EYE PROTECTION OPTIONS

NFPA-compliant products for face and eye protection, such as the NFPA Compliant Bourkes, Defender® Visor, and Cairns Firefighter Goggles, continue to safeguard first responders.



1836

- › One of the lightest weight traditional-style helmets on the market
- › Low ride height helps provide excellent comfort and balance
- › New anchor base for quick assembly and disassembly
- › Quick-connect soft goods and earlaps for ease of cleaning
- › New articulating Defender® Visor
- › New expanded and pivoting ratchet offers adjustable fit for diverse head sizes, hairstyles, and headwear



› 644



› 880

HELMET SHELL MATERIAL

Leather

- › The original MSA Cairns fire helmet material
- › 100% top-grain steer hide
- › Impregnated with a natural resin system
- › Hand-tooled by craftsmen
- › N5A New Yorker & N6A Houston models available, with Traditional or Bronx Bend brim

Fiberglass Composite

- › Most popular MSA Cairns fire helmet material
- › Durable shell material
- › Available in matte or glossy finish
- › 660C, 664 & HP3 models

Thermoplastic

- › Lightest weight material in the MSA Cairns line
- › Available on 880 & 360S/R/R-13 models

HELMET STYLE OVERVIEW

Traditional

- › Classic fire helmet design
- › Most popular MSA Cairns fire helmet style
- › Generally lower profile than our competitors' traditional helmets
- › **Helmets:** N5A, N6A, & 880

Modern

- › Lower profile than our traditional style
- › Lower profile than most of our competitors' modern style helmets
- › **Helmets:** 660C, 664, HP3 & 360S/R/R-13

10 YEAR WARRANTY!!!

APR ADAPTERS, CARTRIDGES, CANISTERS, AND MASK RESPIRATORS

GAS DETECTION



› Spectacle Kit



› Confidence Plus



› Advantage 4100



ALTAIR 5X

- › Built upon durability
- › Powered by performance
- › Flexibility & connectivity
- › Industry-first man-down alarm
- › Bluetooth wireless connectivity
- › Altair Connect App available on Google Play
- › Industry-leading warranty
- › Online product simulation and training



ALTAIR 4XR

- › <15-second sensor response time
- › Four-year warranty, five-year expected life
- › 24-hour run time
- › IP68 rating, survives incidental 25-ft drops
- › Bluetooth connectivity and event notification, instrument compliance



ALTAIR 2X

- › Withstands extreme impact with rugged polycarbonate housing; passes 25-ft drop test
- › IP67-rated unit is both dust-and-watertight
- › Full three-year warranty supports entire instrument, including sensors



› Single APR Adapter



› Twin APR Adapter



› Optifilter XL, Type HE



› Low Profile Cartridge



› CBRN Canister



GALAXY GX2

- › Color touch screen for ease of setup and viewing
- › Extremely simple to use; testing starts automatically without touching a single button
- › Simultaneous testing of up to ten instruments
- › Optimized for use with MSA XCell Sensors; provides up to 50% cost of ownership reduction
- › At-a-glance indicators include low calibration gas volume, expiration warnings, and test stand status
- › MSA Link Pro Software provides proactive safety management, dashboard overview, and total record keeping



FIREDEX



FireDex the fastest-growing manufacturer of PPE for first responders and the world's largest Independent Service Provider (ISP) of PPE care and maintenance under its subsidiary, Gear Wash. Headquartered in Medina, Ohio, with three additional manufacturing locations in Georgia, North Carolina, and Mexico, FireDex is a global company that prides itself on being a family-owned and operated business with a mission “to serve those who serve”. For over 40 years, their dedicated team of associates has helped pave the path of innovation for new products and services that focus on the health and safety of first responders by offering turnout gear, alternative PPE, boots, hoods, gloves, helmets, and PPE rentals.

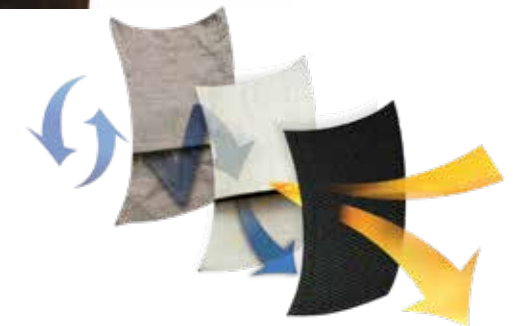


TURNOUTS



VAPORLITE™ PANELS

- › Uses a breathable and proprietary, 3-layer composite system that targets the areas of your body where heat becomes most encapsulated, the side seams, armpits, inner thighs, and behind the knees.
- › VaporLite™ Panels allow sweat to evaporate more efficiently than any garment available to the fire service.



FXR CUSTOM TURNOUTS

FXR turnouts are specifically designed to minimize firefighter stress and fatigue through Active Posture Design™, allowing for full range of motion - especially while wearing your SCBA!



- › **Certified to NFPA 1970**
- › **OmniDex™ Shoulder**
Eliminates coat rise and sleeve retraction by moving the shoulder seam to the natural bending point.
- › **OmniDex™ Shoulder Interface with SCBA**
Designed to work in conjunction with your SCBA - no material bunching under or around SCBA straps, preventing “shoulder-lifting” your air pack when reaching or crawling.
- › **Seamless Collar**
Comfort and NFPA compliant protection without the need for a throat tab.
- › **DexFlex™ Elbows**
Added pleats bend the sleeve to the natural shape of the arm, providing less restriction in movement.
- › **Allows for Shorter Coat Length**
With the dramatic reduction in coat rise, wearers can safely opt for a shorter coat which eliminates restriction on upper legs (30” coat shown). Reduced coat length also means less fabric and therefore less weight.
- › **Athletic Cut Design**
Provides natural movement and comfort in a forward firefighting position.
- › **Comfort Inseam**
Replaces the standard 4-way seam in the crotch with seamless gusset to reduce bulk and wear & tear.
- › **DexFlex™ Knees**
Move freely and reduce resistance with naturally-bent knees.



AEROVENT™ TECHNOLOGY

The first of its kind, AeroVent™ Technology utilizes a one-way street ventilation design that operates in conjunction with the pressure differential between the outer environment and the microclimate inside your gear, allowing sweat vapor to escape without letting heat inside.

AeroVent™ Technology enables you to better regulate your core body temperature, reducing the risk of heat stress and other cardiac-related issues.

Particulate-blocking technology in the vents act as a barrier against potentially harmful carcinogens.

The vents lie within the VaporLite™ Panels, with two positioned along the armpits and two placed on the inner thighs, to facilitate airflow and promote optimal cooling where it matters most.



FXM TURNOUTS

Modern design features meet functionality to prepare you for action. Comes in a standard pre-configured spec or can be customized to meet your needs.

- › **Certified to NFPA 1970**
- › **DexFlex Knees and Elbows**
Move freely and reduce resistance with naturally-bent legs and arms
- › **Modern Tapered Hem**
Coverage where you need it featuring a shorter front and longer back
- › **Maximum Comfort**
Full range of motion and increase flexibility and durability with a seamless crotch gusset
- › **DexFlex Reverse Tapered Cuff**
Maximizes wear and tear from cuff dragging

FXC TURNOUTS

FXC Turnouts are an excellent option for budget conscious departments. This classic design is built with popular options and offered in two models: Standard and Deluxe.

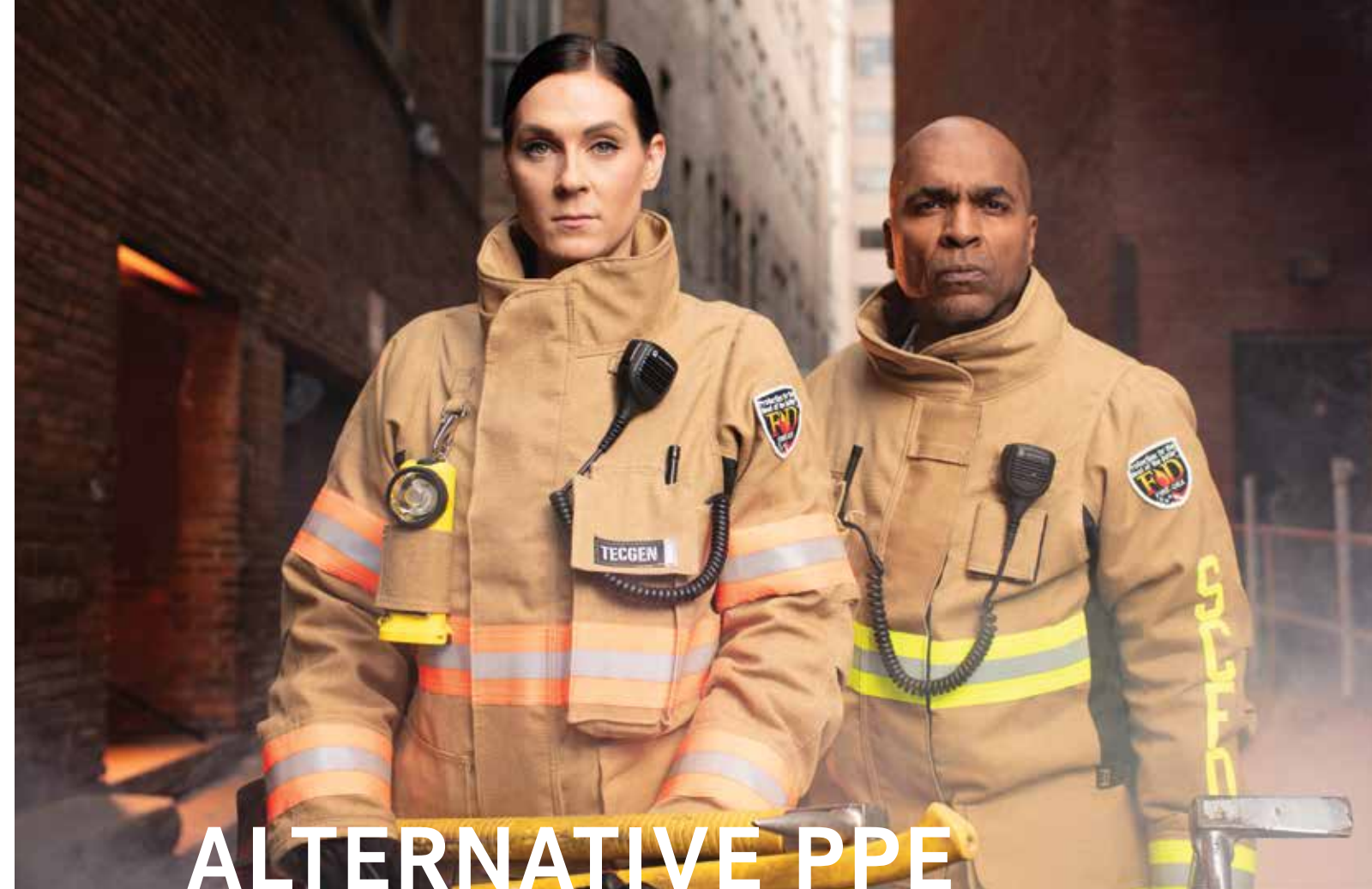
- › Certified NFPA 1970
- › Available in Pioneer or Nomex IIIA Outer Shells
- › Choose between Defender M Elite NP or Q-8 Thermal Liners
- › Built with Stedair 3000 Moisture Barrier
- › Comes standard with most popular features and options



EMS

EMS gear offers a comfortable fit with a construction that is waterproof, breathable, and bloodborne pathogen-resistant to protect you from line-of-duty hazards.

- › Certified NFPA 1999



USAR

Lightweight, breathable protection for technical rescue, emergency medical, and other non-fire incident calls where rugged durability and bloodborne pathogen protection are needed.

- › Dual certified NFPA 1951 & 1999



TECGEN51

This single layer garment is designed to reduce heat stress and exposure to harmful carcinogens. With high levels of thermal protection and incredible breathability. TECGEN51 Fatigues make a comfortable fit for every day department needs.

- › Dual certified NFPA 1951 & 1977
- › Wearing structural gear on non-fire emergencies can cause unnecessary stress on your body and contribute to repeated exposure to contaminants
- › Wear TECGEN51 Fatigues as your daily PPE to minimize exposure to carcinogens
- › Our lightweight, single-layer garment is the perfect fit for 90% of your calls



› DELUXE



› STANDARD

THE PERFECT FIT FOR:

- › Extrication
- › Search & Rescue
- › Confined Space
- › Wildland, Grass, & Brush Fires
- › Trench Rescue
- › Reserve/Explorer Programs



H41 INTERCEPTOR WITH DUPONT™ NOMEX® NANO FLEX

With the power of DuPont Nomex Nano Flex particulate-blocking technology laminated between two layers of 6.0oz PBI/Lenzing (20%/80%), FireDex's H41 Interceptor Hood boasts superior situational awareness while reducing firefighter's exposure from harmful fire ground carcinogens. Offering the closest fit to a classic knit hood, the H41 Interceptor provides extreme comfort and durability while maintaining excellent breathability.

- › Certified to NFPA 1970
- › Available in Multiple Sizes



CAPTAIN JIM FIRE HOOD WITH CLEAR 2.0

The Captain Jim Fire Hood with Stedair® PREVENT helps to reduce exposure to persistent fire ground carcinogens while keeping its long-established reputation for superior TPP and THL performance.

- › Certified NFPA 1971



DEX-RESCUE GLOVE

Extremely durable, the Dex-Rescue Glove offers resistance against melting or igniting during a flash fire. They're the best choice for 90% of your calls and the perfect companion for our dual-certified TECHGEN51 fatigues.

- › Certified NFPA 1970



DEX-PRO GLOVE

3D, innovative design built with three layers, just like your turnout gear! Materials include 3oz Cowhide outer protection, a military grade DuPont™ Nomex® thermal liner, and a Porelle® FR moisture barrier.

- › Certified NFPA 1970



FDXL200 LEATHER BOOT

Built to keep you energized during long 24 hour days, the FDXL200 Firefighting Boot outperforms standards with a combination of technologies and materials that make it the best choice for slip resistance, flame resistance, liquid and bacterial protection, comfort and durability.

- › Certified NFPA 1970 & 1992

HEN

HEN[®]

HEN[®] Nozzles patented technology, rooted in fluid dynamics and thermal management, isn't just an upgrade: it's a breakthrough. Designed for maximum efficiency and control, HEN[®] Nozzles empower firefighters with the ability to instantly switch from a solid stream to a wide in-line BLADE™ pattern, all while maintaining thermal balance inside the fire environment.

Whether you're making an aggressive interior attack or leading a progressive wildland hose lay, HEN[®] BLADE™ nozzles deliver faster knockdowns, reduced water usage, and increased firefighter safety. It's not just about flow. It's about precision, efficiency, and effectiveness in the moments that matter most.

HEN

HEN® BLADE™

A combination smoothbore nozzle that redefines fire attack by combining the reach and penetration of a traditional smoothbore with the versatility of an in-line blade pattern. With a simple quarter turn, firefighters can transition from a tight solid stream to a wide, high-impact blade stream, delivering large water droplets for maximum efficiency, improved cooling, and enhanced control.

- › Adjustable Stream Control - Allowing firefighters to instantly switch between a powerful, solid stream and a wide, linear BLADE™ pattern.
- › Efficient Cooling & Gas Management - Utilizes large, high-velocity droplets, enhancing knockdown efficiency & thermal layer management in high-heat environments.
- › Engineered for Reliability - Crafted from durable, field-proven materials, its rugged design stands up to heat, pressure, and repeated use without compromising fireground performance.
- › Designed for Comfort - Built with firefighter ergonomics in mind. Its balanced, user-friendly design helps crews maintain control without unnecessary strain.
- › Quick Stream Adjustments - Provides firefighters with unmatched control to handle changing conditions with one nozzle, one movement, and zero downtime.
- › Built for Versatility - Whether on the front line of a structural fire, wildland incident, or WUI zone, the HEN® BLADE™ nozzle delivers consistent reach, cooling, and stream integrity. It's the go-to nozzle for departments demanding flexible, high-performance fire suppression tools.



TURBO INCREASER

The HEN® HYDRO™ shutoff provides superior flow with less waterway turbulence by using an all-metal full-ball valve. Its ergonomically designed bale allows for a full hand grip and fits in single tray hose beds.

- › Increases hose stiffness & handling
- › Reduces dangerous hose & nozzle whip
- › Knocks out kinks & reduces overall hoseline kinking
- › Improves performance on all hoseline construction packages

HYDRO SHUT OFF VALVE

The HEN® TURBO™ increases hoseline back pressure by 25-30 PSI while keeping the BLADE™ nozzle at its intended pressure. This provides a more rigid handline for better control and advancement, while keeping nozzle reaction intact.



WILDLAND NOZZLES

HEN® wildland nozzles are available in 20, 45, and 95 GPM nozzles at 100 PSI.



› Blade™ 20



› Blade™ 45



› Blade™ 95



STRUCTURE NOZZLES

HEN® structural nozzles are low pressure and cover a range of flows including 160, 175, 185 and 265 GPM.



› Blade™ 160



› Blade Force™ 175



› Blade™ 265



Available in 500, 750, and 1000 GPM nozzles at 100 PSI.

HEN® BLADE FORCE™

The HEN® BLADE FORCE™ nozzle combines the power of a smoothbore nozzle with a solid linear BLADE™ stream, delivering both a tight, solid stream for penetration and a blade-like pattern for enhanced fire attack versatility and coverage. Flowing at 250gpm @ 45psi with just 89lbs of nozzle reaction, the BLADE FORCE™ sets the industry standard for low pressure PSI nozzles.

- › Solid, tight pattern with large water droplets
- › Works with ALL 2", 2.25", & 2.5" hoselines
- › 250 GPM @ 45 PSI nozzle pressure
- › Hard-coat anodized aluminum construction
- › Available with 1.5" NH & 1.5" NPSH threads
- › NFPA 1960/1964 compliant
- › 5-Year Warranty

HEN® TIP FORCE™ 250

The HEN® TIP FORCE™ 250 nozzle delivers a smoothbore-like performance with a tight, solid stream, maximizing reach and penetration for effective fire suppression while maintaining the benefits of a pressure-managed nozzle. Flowing at 250gpm @ 45psi with just 89 lbs of nozzle reaction, the TIP FORCE™ sets the industry standard for low pressure PSI nozzles.

- › Solid, tight pattern with large water droplets
- › Full-time swivel
- › Hard-coat anodized aluminum construction
- › Available with 1.5" NH & 1.5" NPSH threads
- › NFPA 1960/1964 compliant
- › 5-Year Warranty

HEN® TIP 265

The HEN® TIP 265 is a 2.5" smoothbore nozzle tip engineered for high-rise, commercial, and standpipe operations. The TIP delivers 265 GPM at 50 PSI for maximum efficiency, as the smoothbore design produces a solid, concentrated stream for superior reach and penetration. Designed to pair with the HEN HYDRO 200 shutoff, the TIP 265 offers reliable performance in demanding fireground conditions.

- › Solid, tight pattern with large water droplets
- › Hard-coat anodized aluminum construction
- › Available with 2.5" NH & 2.5" NPSH threads
- › Perfect for high-rise, commercial, and standpipe operations
- › NFPA 1960/1964 compliant
- › 5-Year Warranty



TITAN SERIES - MASTER STREAM BLADE NOZZLES

- › Combination Blade Nozzle
- › Integrated Stream Straightener
- › Adjustable Vertical & Horizontal Blade Positioning
- › Adjustable Solid Tight & Solid Linear Blade Patterns
- › Combination Smoothbore Nozzles
- › NFPA 1960/1964 compliant
- › 5-Year Warranty

HEN FORCE LINE

For the first time, a shutoff integrates a built-in HEN® TURBO™ back-pressure device, allowing for 175 GPM at just 45 PSI nozzle pressure (NP)—without sacrificing performance. This means more water, less effort, and greater firefighter efficiency.

Fire suppression is about efficiency, safety, and effectiveness. The HEN FORCE line ensures firefighters stay in the fight longer, deliver consistent, high-impact water streams, and reduce fatigue—all while simplifying the pump operator's job.

- › Works with any 1.75" handline hose
- › Eliminates hose kinks & nozzle whip
- › Lower nozzle reaction



MERCEDES

For more than 45 years, Mercedes Textiles is proud to have delivered the most innovative and reliable water delivery systems to the firefighting community. Mercedes continues to honor the commitment of engineering and manufacturing products that are both innovative and keep people safe. We know that fire hoses and couplings are not a one size fits all proposition; which is why we manufacture fire hose products with different features for specific applications.

From coupled fire hoses, portable fire pumps, or entire water delivery systems, Mercedes Textiles strives to create the best and safest products for the brave firefighters who rush into danger every day.



KRAKENEXO®

Our legendary KrakenEXO® is designed for aggressive fire fighting applications, where durability coupled with lightweight, excellent low pressure kink resistance and superior water flow are critical factors.

- › Ideal for aggressive interior attack, standpipe and high-rise applications, Rapid Intervention Team (RIT), pre-connected cross-lay attack hose, pre-connected front bumper attack hose, and potable water transfer hose (stenciled).
- › Standard with our patented WAYOUT® couplings in gold with yellow reflective arrows and IDentify® coding system.
- › UL approved in all sizes and can be labeled upon request.



KRAKENEXO SUPER II™

The KrakenEXO SUPER II™ is the most advanced double-jacketed oversize 2" (51mm) attack hose capable of delivering targeted flows of 210-300 GPM with up to 30% less weight*.

Get 2.5" flows with a 2.25" charged hose for superior maneuverability & unrivaled performance. Lower weight, increased flexibility, high kink resistance, and low friction loss, all combined with our proven strength and durability. Ideal for advanced interior tactics, high-rise & standpipe applications, and in limited manpower situations.

- › Standard with our patented WAYOUT® couplings in black with red reflective arrows and IDentify® coding system.
- › UL approved and can be labeled upon request.

*when compared to standard 2.5" / 64mm attack lines, including EPDM rubber-lined hose

EXOMETRO®

ExoMetro® offers true diameter waterway sizes of our legendary KrakenEXO® hose. Designed specifically for aggressive firefighting applications, where durability coupled with lightweight, excellent low pressure kink resistance and superior water flow are critical factors. Ideal for aggressive interior attack, standpipe and high-rise applications, Rapid Intervention Team (RIT), pre-connected cross-lay attack hose, pre-connected front bumper attack hose, and potable water transfer hose (stenciled).

- › Standard with our patented WAYOUT® couplings in blue with yellow reflective arrows and IDentify® coding system.
- › UL approved in 1.75" / 44mm size and can be labeled upon request.



MEGAFLO® BREATHER

MegaFlo® is a large diameter hose designed for fastest deployment, easiest recovery and the best packability in the industry. We engineered our patented Breather Technology™ into our 3-5" LDH, which allows trapped air to escape between layer while increasing flexibility and strength. Our unique Mertex® lining yields extremely low friction loss, achieving maximum flow and flexibility with superior adhesion guaranteed to never delaminate.

- › Ideal for large volume attack and supply where both light weight and superior strength are critical.





DRAGON FIRE

WILDLAND FIREFIGHTING GLOVE

Who We Are

Dragon Fire Gloves is dedicated to helping you find the best applications for all of your glove needs. Since 2005, we've been striving to create lasting relationships with our customers, and guarantee that they can count on us for the best gloves, quality materials and zero hassles.



MODEL 19

- › **Certified by UL to NFPA1977 – 2016 Edition**
- › **Outer Shell**
 - Full and complete natural leather outer shell
 - Premium top grain leather
 - Fire, heat, and abrasion resistant
- › **Thermal Liner**
 - KOVONEX P – Independently certified to NFPA Standards
 - Thermal liner fully bonded to outer shell prior to assembly
 - Thermal liner remains in intact – no pull out
- › **Unique Features**
 - Remains soft and pliable after use
 - Refuses to harden or stiffen
 - Easy donning and doffing
 - Packaged in reusable nylon bag
 - Available in 9 standard sizes



STRUCTURAL FIREFIGHTING GLOVES



X2S

- › **Certified by UL to NFPA 1970**
- › **Full Natural Leather Outer Shell**
 - Premium top grain cow and goat hide
 - No fabric used on the outer shell
 - Unparalleled wet grip strength
 - Strategic sacrificial wear pads on fingertips
 - Extreme thermal, cut, puncture and abrasion resistance
- › **Vapor Barrier System**
 - Proprietary formulation specifically designed for the fire service
 - Welded seams (not glued)
 - Independent non-laminated barriers
 - Memory free performance
 - Superior liquid & chemical resistance
 - Impervious to steam
 - Independently tested and certified
- › **Kovonex P Thermal Liner**
 - Exclusive to Dragon Fire
- Inherently heat flame resistant blend of non-chemically treated fibers
- Thermal, cut, and rip resistant
- Independently tested and certified
- › **Unique Features**
 - Extreme dexterity with no sacrifice of protection
 - Glove refuses to harden or stiffen
 - Remains soft and pliable after use
 - Liner remains intact—no pullout
 - Effortless hand insertion & removal when glove and/or hand is wet/sweaty
 - Reflective piping for improved visibility
- › **Available in 17 sizes**
 - Standard: XXS, XS, S, M, L, XL, XXL, XXXL, XXXXL
 - Shorter Fingers/Cadet: XXS, XS, S, M, L, XL, XXL, XXXL



RESCUE GLOVES



FIRST DUE RESCUE

- › **High Dexterity Outer Shell**
 - Form fitted shock absorption for greater knuckle region
 - Back of hand shock absorption finger protection
 - Strategic wear pad on well of thumb and index finger
 - Premium synthetic leather palm
 - Fingertip wear pads
- › **Thermal Liner**
 - Flame, cut, puncture, and abrasion resistant Kovenex.
 - TPP rating of 8 adds additional flash protection
 - Permanently fused outer shell
- › **Unique Features**
 - Thermal protection in a rescue glove
 - Available Sizes: XS, S, M, L, XL

BBP RESCUE

In addition to the features on the First Due Rescue Glove, the BBP Rescue offers:

- › **High Dexterity Outer Shell**
 - Low profile, non-binding shock absorption for greater knuckle region and back of hand
 - Strategic wear pad on well of thumb and index finger
 - Strategic, low profile anti-vibration palm protection
 - Fingertip wear pads
- › **Thermal Liner**
 - KOVONEX P Thermal liner
 - Exclusive to Dragon Fire
 - Flame, cut, puncture, and abrasion resistant
 - Flash protection
- › **Vapor Barrier**
 - Impervious to steam
 - Superior Liquid & Chemical Resistance
 - Independent non-laminated barrier



MEIKO

As the leading global designer and manufacturer of cleaning, sanitizing and disinfection technology for nearly 100 years, MEIKO can help you take safety and hygiene to a whole new level. The MEIKO Protect Division does everything it can to support rescue workers' health – before, during and after a fire.

TopClean systems thoroughly clean breathing apparatus equipment to the same high level of protection every time, to reduce exposure to carcinogens.



TOPCLEAN M

SPECIAL FEATURES:

- › MEIKO's ActivePlus wash-water filter system creates the cleanest water possible by filtering tank water multiple times throughout the wash. Dirt, grime and toxins are washed out when the filter is backflushed at specific intervals.
- › Auto Safe temperature control ensures a final rinse temperature of 105/120°F (40.5/49°C) regardless of the incoming water temperature (hot-water supply preferred).
- › MIKE 2 electronic control system includes one-touch operation, one-touch selection of three different cleaning cycles, automatic temperature monitoring with digital display, and advanced service diagnostics.
- › Soft Start slowly engages the wash pump and gradually builds wash pressure, to help prevent PPE from shifting on the rack.
- › Built-in booster heater with power rinse pump ensures final rinse pressure and temperature, for consistent, high-quality cleaning results.
- › The internal reverse osmosis system forces water through a semi-permeable membrane and removes dissolved solids, including salts and soils. It creates the purest final rinse water possible, completely free of contaminants, for brilliantly clean results.



TOPCLEAN D

SPECIAL FEATURES:

- › MEIKO's ActivePlus wash-water filter system creates the cleanest water possible by filtering tank water multiple times throughout the wash. Dirt, grime and toxins are washed out when the filter is backflushed at specific intervals.
- › Auto Safe temperature control ensures a final rinse temperature of 105/120°F (40.5/49°C) regardless of the incoming water temperature (hot-water supply preferred).
- › Technology that gives you operating control and convenience. Meet MIKE 2, the fully electronic control system from MEIKO. It's standard on DECON Series equipment washers. Choose from DECON's three wash programs with one touch on the keypad.
- › Soft Start slowly engages the wash pump and gradually builds water pressure to help prevent PPE from moving on the rack.
- › Built-in booster heater with power rinse pump ensures final rinse pressure and temperature, for consistent, high-quality cleaning results.

UNIMAC

For high-capacity on-premises laundries whose operation demands the best of the best, there's no other choice than UniMac® high-performance washer-extractors. Durable construction, industry-leading efficiency and exclusive innovations like UniLinc Touch and OPTispray™ combine to deliver lower costs and higher throughput than any other laundry machine on the planet. Whether you operate a hotel, long-term care facility or any other on-premises laundry, UniMac has a washer/extractor for you. With a full line of versatile, industrial-strength commercial laundry machines, we have a solution to suit any on-premises laundry needs.



UW SERIES WASHER-EXTRACTOR

For the ultimate in cleaning and ease of use, the UW range of washer-extractors deliver. The UniLinc™ Touch control employs a graphical display and real words to ensure every member of the department selects the proper cycle, while OPTispray™ offers next-level rinsing to force dangerous contaminants off the load and down the drain.

- › **UNILINC™ TOUCH CONTROL** Intuitive Full Color Display
- › **CUSTOM FIRE INDUSTRY CYCLES** Pre-Programmed Cycles
- › **FIRELINC™ REPORTING** Flawless Record Keeping and NFPA 1850 Compliance
- › **TEMPERATURE CONTROLLED FILL** for Safe and Effective Washing of PPE
- › **100 G-FORCE SPIN SPEED** for Safe and Effective Washing of PPE
- › **FASTEST CYCLE TIMES** Returning Your Gear to Service Quickly
- › **INDUSTRIAL CONSTRUCTION** Built to Last with Constant Use
- › **NFPA 1850 COMPLIANT** Bring Peace of Mind to Your Department



UY SERIES SOFTMOUNT WASHER-EXTRACTOR

- › 99 programming options
- › Sleek, modern design
- › High-quality, stainless steel front, top and side panels
- › Stainless-steel inner drum and tub
- › Unique drum increases mechanical action for better washing results and optimized water extraction
- › Large drain valve for increased throughput
- › High-capacity water inlets for fast fill
- › Easy-to-use, four-compartment dispenser
- › Eight liquid chemical connections
- › 13 chemical ports of various sizes, including 1/2" manifold flush connections
- › Large door opening for easy loading and unloading
- › Ozone-compatible design
- › Easy control access - no need to remove top panel
- › Durable micro-v belt for long life



UC SERIES HARDMOUNT WASHER-EXTRACTOR

As the leading manufacturer of on-premises laundry equipment, UniMac offers more than seven decades of incomparable quality and long-lasting performance. Our UC series is unyielding construction to ensure industrial strength. Our cutting-edge innovations and technologies reduce costs and maximize throughput. And we're constantly improving. It's all our part of our commitment to providing the lowest cost of ownership in the industry.

- › Improved cycle times
- › Reduced drying time and increased throughput with up to 200 G-Force extraction speed
- › Computer-optimized frame design stronger than ever before, with quieter operation Stainless-steel top and front panels
- › Offered in five capacity options (20, 30, 40, 60, and 80 lb)
- › Heavy-duty bearings and seals
- › Engineered for quick troubleshooting and ease of service Self-cleaning, four-compartment dispenser
- › Large, heavy-duty loading door
- › **Faster fill times** - UC60 43%, UC80 20%



PPE DRYING CABINET

The Firefighter's Personal Protective Equipment (PPE) Drying Cabinet provides fire stations the means to effectively, efficiently and safely dry protective gear - returning gear back to service quickly.

- › **Fast & Safe Drying** Returning Your Gear to Service Quickly
- › **Recommended Outside Ventilation** for Safe Removal of Residual Toxic Vapors
- › **Large Capacity** 6 Full Sets of Turnout Gear and 15 Boots/Gloves
- › **Microprocessor Control** Manages Drying Time and Temperature
- › **Pre-Programmed Cycles** Five Default Drying Cycles
- › **Unique Rack Design** for Maximum Water Removal
- › **Optional Utility Shelf** Fast Drying of Other Equipment Including Fire Hoses 180°
- › **DOOR OPEN ANGLE** for Easy, Unobstructed Access
- › **NFPA 1850 COMPLIANT** Bring Peace of Mind to Your Department




WASHBASIC LL

WashBasic LL is designed to be used in small OPL applications where the dosage of two liquid chemical products for washer extractors up to 30 kg is required.

- › Peristaltic dual-pump
- › Fully pre-programmable delay, dosing and lock-out times for 9 programs
- › Trigger signal compatibility from 12 Vdc to 240 Vac
- › Extended squeeze tube and motor life due to integrated ball bearing and superior tubing
- › Easy installation, easy operation, low maintenance, reliable, and user safe
- › Smart motor torque sensor avoids unforeseen failure in the event of roller blockage
- › Warning alarm for out-of-product sensors
- › Optional remote console for manual pump control

Specification

- › **Power:** 100-240 Vac, 50-60 Hz
- › **Power Consumption:** 15 W
- › **Flow Rate:** 8.5 oz/m
- › **Pressure:** 1.5 PSI



Designed with commercial on-premise laundry customers in mind, SEKO's dedicated laundry pump range offers single and multi-machine dosing systems including the Wash Series, which brings the world of IoT-enabled remote data management and parameter control to the laundry manager.



MICRO-[®] BLAZE

All Micro-Blaze[®] Microbial Products contain a proprietary blend of wetting agents, nutrients, and several proprietary strains of safe, non-pathogenic Bacillus bacteria. When applied to a hydrocarbon-based or organic spill/contaminant, the wetting agent begins breaking down the contaminants into smaller molecules for more efficient degradation, by the microbes, into harmless byproducts like carbon dioxide, water, and trace salts.

Our various Micro-Blaze[®] family of products can take care of all your cleaning needs: from industrial oil spill bioremediation to home and RV septic tank treatments and everything in between.



MICRO-BLAZE OUT®

Micro-Blaze Out is the only patented, microbial, Class A and Class B spill firefighting agent on the market today. Micro-Blaze Out contains a biochemical formulation of biological activators and scientifically selected bacteria that digest organic waste, including hydrocarbons, after extinguishing the fire. It is nontoxic and biodegradable, making it the most environmentally responsible firefighting agent globally.

- › Certified/Listed – U.S. EPA NCP List* U/L *NSF *NFPA *Green Screen
- › Made in America
- › Environmentally Friendly – All products are non-toxic and completely safe for the environment

MICRO-BLAZE® EMERGENCY LIQUID SPILL CONTROL

Micro-Blaze® Emergency Liquid Spill Control is a safe, nontoxic, microbial formulation used for the bioremediation of hydrocarbons and other organic compounds. It breaks down, degrades, and digests organic waste while also suppressing vapors and eliminating flammability. The proprietary combination of wetting agents, nutrients, and microbes makes it an ideal formulation for use on many pollutants found in spills and contaminated sites. Our microbes are naturally occurring, not genetically engineered, and found in soils and waters all over the earth. These microbes have been carefully researched, tested, and chosen for their affinity to degrade hydrocarbons and other organic waste.

USES

- › Clean up hydrocarbon spills/leaks
- › Soil bioremediation
- › Vapor suppression
- › Equipment, tank, and pipeline cleaning

BENEFITS

- › Safe and cost-effective method for in-situ bioremediation of contaminated soils and water
- › Elimination of vapors and LELs, creating a safe working environment
- › Residue and runoff can be safely sent to industrial and municipal WWTPs
- › 10-year shelf life and easy to use concentrate make it convenient to maintain on hand for future emergencies or everyday usage
- › Listed on EPA NCP List as a bioremediation agent for 30 years



MICRO-BLAZE® PPE DE-CON CLEANER

The old days of wearing your dirty bunker gear as a badge of honor are over. Research spanning decades shows that firefighters have significantly higher rates of cancer due to their occupational exposure to toxic chemicals. Ensure that your PPE and bunker gear is as clean as possible by using Micro-Blaze PPE DECON Cleaner after each use. In doing so, we can help reverse the rising cancer rate among firefighters by removing the toxic carcinogens from PPE and bunker gear.

Micro-Blaze® PPE DE-CON CLEANER (MBPPE) is a completely safe, non-toxic formulation of biological activators and selected all-natural and non-pathogenic microbes that break down, remove, and digest organic contaminants on uniforms, turnout gear, hoods and gloves.

TEST RESULTS

Presoaked in PPE de-con cleaner, then run through a rinse cycle in an extractor.



STRIKE BAC®

This product is a disinfectant that is effective against a broad spectrum of bacteria, is virucidal* (including HIV-1, HIV-2, HBV and HCV) and inhibits the growth of mold and mildew and their odors when used as directed. For use in Hospitals, Schools, and Institutional Facilities. Free from bleach, phosphates and ammonia.

Kills SARS-CoV-2 (COVID 19 virus) on hard non-porous surfaces.



FORCE 6

Force 6 is driven by a single mantra – Innovation makes all the difference for those working in the water rescue community. It's why each PFD is designed and perfected to best serve its specific rescue function. It's why only the highest-quality foams, top-rated UL nylon fabrics are used, providing strong hardware and attachment points.

Force 6 values the physical safety of both the rescuer and victim. Every designed manufactured prioritizes your personal safety and easy of use in the field. Designed to work the way you do, Force 6 products. We use detachable accessories so individuals and teams can outfit their PFDs to fit specific rescue needs while maintaining best-in-class safety standards. Zero compromise.

Stay safe. Save lives.



RESCUE OPS

- › 26 lbs of floatation
- › US Coast Guard Type V certified
- › Laser-cut Hypalon MOLLE pockets designed to fit radios inside or mount them outside
- › MOLLE pockets are 8.5" x 5" and fit most radios
- › Chest badge nameplate - hook and loop MOLLE patch areas are on the left and right chest
- › Seven adjustments straps for a custom fit
- › 500 denier Cordura fabric outer shell
- › Extraction handles
- › Back nameplate – hook and loop
- › 620 sq. inches of SOLAS reflective material on front and back
- › Detachable leg harness designed to ensure a perfect fit to help prevent flush drownings (not included)
- › MOLLE on the back – for an optional back pocket (not included)
- › Extremely lightweight – 3.5 lbs



DART THROW BAG

- › **Rope Color:** Red/Yellow
- › **Stock:** ¼" / 16mm Water Rescue Throwline
- › **Length:** 70'
- › **Rope Type:** Floating
- › **Construction:** Braided
- › **Min Break Strength:** 1050 lbF
- › **Material:** 100% multifilament HT polypropylene



RESCUE OPS RADIO POUCH

- › Integrates with Rescue Ops PFD via MOLLE
- › Universal web platform compatibility
- › Fits any standard handset
- › **Dimensions:** 5 3/8" H x 3 5/8" W x 1 1/2" D



WHITES DRYWEAR

Whites Drywear builds drysuits for every environment. Their team of dedicated professionals bring extensive expertise and a passion for excellence to every detail, ensuring the highest standards are met. They understand that a drysuit is more than just gear—it's a vital tool that can make the difference between a successful dive and a disappointing one.



STORM PRO

- › True self-entry design featuring Captive Zip Design
- › Adjustable full circumference neoprene neckseal
- › Super stretch neoprene wristseals
- › Superior fit and comfort assisted by pre-shaped legs and torso
- › Comfortable standby mode design with highly flexible T-zip
- › Saltwater resistant waterproof breathable material
- › Anti-flush wader belt
- › Adjustable chinchies behind knees for better leg fit
- › Low profile auto exhaust valve mounted behind neck
- › Reinforced padded elbows, knees/shins, and seat
- › Neoprene wrist seals, gauntlet overlays and hook & loop cinches
- › Lower leg boot gauntlets with hook & loop cinches
- › Zippered chest pocket
- › Relief/comfort zipper
- › Attached soft dry socks (ideal for use with Gripper Boots)
- › Two thigh pockets with securing flaps
- › Loop shoulder panels for adhering patches
- › High visibility yellow top, black bottom and reflective patches
- › Accessories - zipper lube and instruction manual
- › Available in 14 standard sizes

Specification - Material

- › Breathable/waterproof 3-layer material comprising:
 - Outer:** 200 denier nylon, durable, water repellent
 - Core:** breathable, salt water resistant polyurethane
 - Inner:** protective 18 denier nylon
- › 1680 denier nylon reinforced elbows, knees/shins, and seat

STORM TEK

- › True self-entry design featuring Captive Zip Design
- › Adjustable full circumference neoprene neck seal
- › Super stretch neoprene wristseals
- › Superior fit and comfort assisted by pre-shaped legs and torso
- › Comfortable standby mode design with highly flexible T-zip
- › Saltwater resistant waterproof breathable material
- › Anti-flush wader belt
- › Reinforced padded elbows, knees/shins, and seat
- › Neoprene wrist seals, gauntlet overlays, hook & loop cinches
- › Lower leg boot gauntlets with hook & loop cinches
- › Zippered chest pocket
- › Relief/comfort zipper
- › Attached soft dry socks (ideal for use with Gripper Boots)
- › Attached thigh Molle plates for adding pockets

PARTS



QUALITY AND RELIABILITY

Our factory-original replacement parts ensures when maintenance or repair is performed, you are restoring the unit to its original specifications and performance.

- 1. Purification
- 2. Gaskets and Seals
- 3. Lubricants
- 4. Fill Hose and Assemblies
- 5. Valves
- 6. Air Intake Filters
- 7. All 10,000+ Parts



7 PLUS, OVER 10,000 OEM PARTS

COMPATIBILITY

We configure our designs with interchangeability and our end user in mind. You can count on parts being available for all BAUER models.

PartsSales@BauerComp.com or 1-(844)-500-5822

GLOBAL SERVICE



- B** BAUER Germany & BAUER Norfolk
- BAUER Branches
- BAUER Service Centers/Distributors



SERVICE AND SUPPORT

Our compressors are designed with you in mind. Easy to use manuals guide you through clear, mechanically accessible repairs. Our worldwide distribution network was developed to assist in after-sales support, along with product and maintenance parts assistance.

FROM THE SOURCE

BAUER COMPRESSORS INC., is certified with **ISO 9001:2015** quality processes providing you with confidence that cannot be duplicated by sub-standard after-market parts and service.

TRAINING



BAUER COMPRESSORS INC. offers a variety of on site & off site Training Schools. Our on site classes are held at our BAUER Training Facility and are taught by the same people that help manufacture, test and service our products. From electrical systems to hands-on break downs, we cover all areas of compressor operation.

TRAINING TOPICS

Basic mechanical theory, control system theory (electric and pneumatic) along with troubleshooting for all BAUER systems.

Class schedule and course registration at:

www.BauerCustomerTraining.com



BAUER HELPDESK

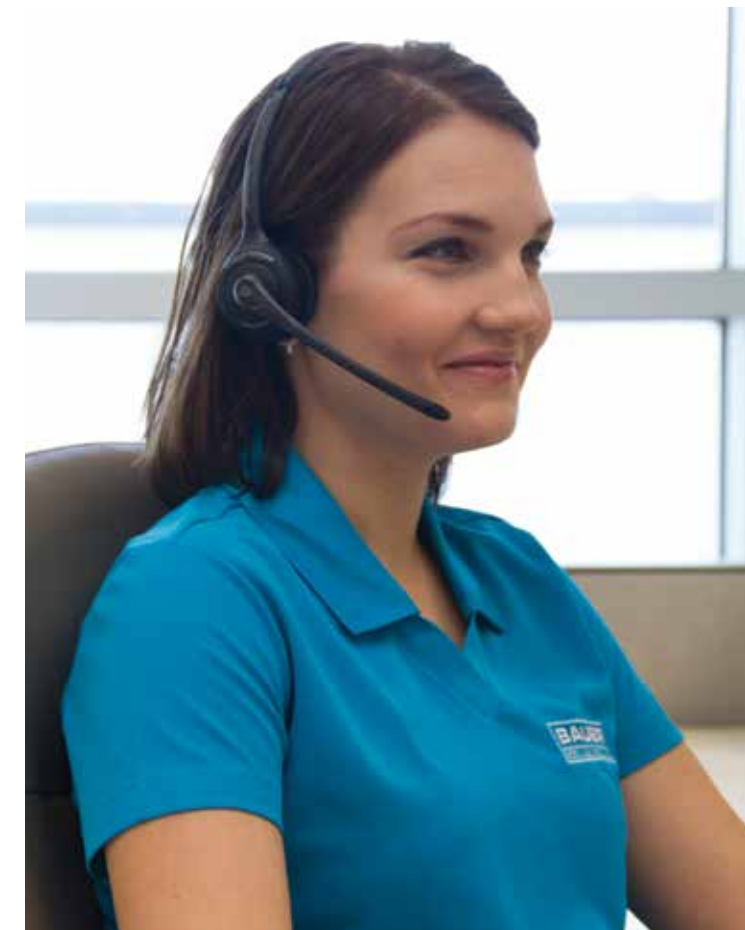


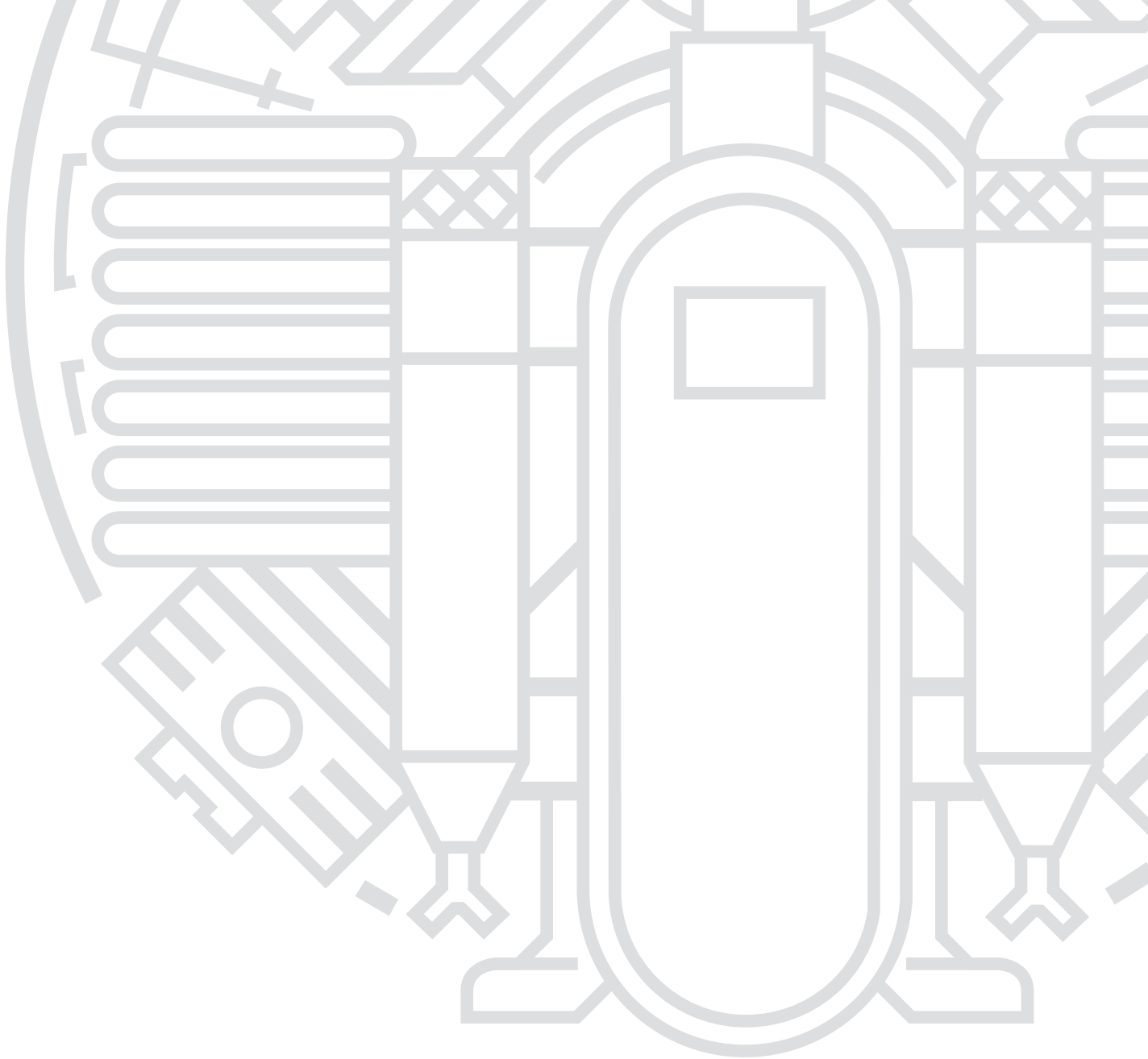
MECHANICAL & ELECTRICAL

Total customer satisfaction is our top priority. BAUER provides 24-7 phone tech and troubleshooting support at our BAUER Helpdesk. Our support continues throughout our warranty period and beyond.

>>> For BAUER Helpdesk please email: CustomerService@BauerComp.com or call at:

+1 (844)-500-5822





BAUER SAN FRANCISCO

1216 Stealth Street
Livermore, CA 94551
Tel. +1 (925) 449-7210
BSFsales@BauerComp.com

For Northern California & Nevada

Tim McGuire
Tim.McGuire@bauersf.com
Brian Cox
Brian.Cox@bauercomp.com
Kyle McKinney
Kyle.McKinney@bauersf.com
Jeff Knobbe
Jeff.Knobbe@bauercomp.com

For Southern California & Nevada

Keith Hodak
Keith.Hodak@bauersf.com
Jeff Dart
Jeff.Dart@bauersf.com
Caitlin Kaller
Caitlin.Kaller@bauersf.com



Connect with us.

www.BauerBreathingAir.com

1139.04.26
Subject to technical changes