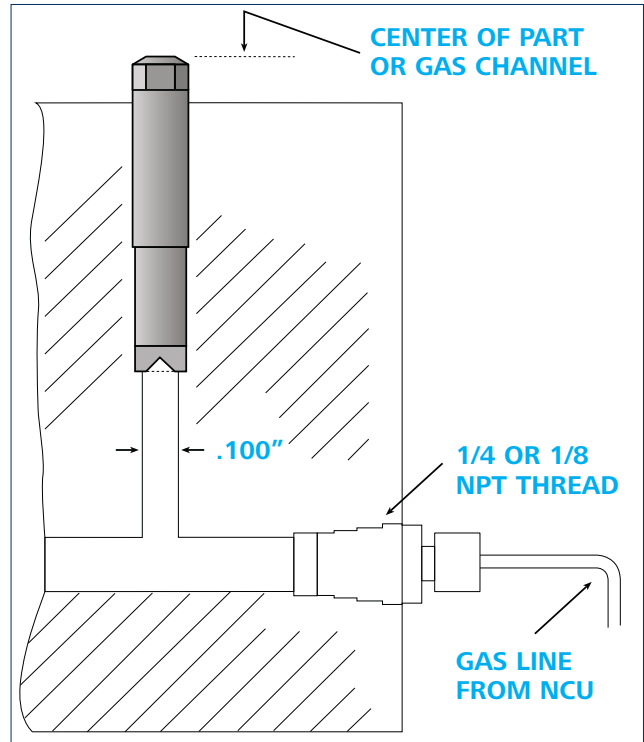
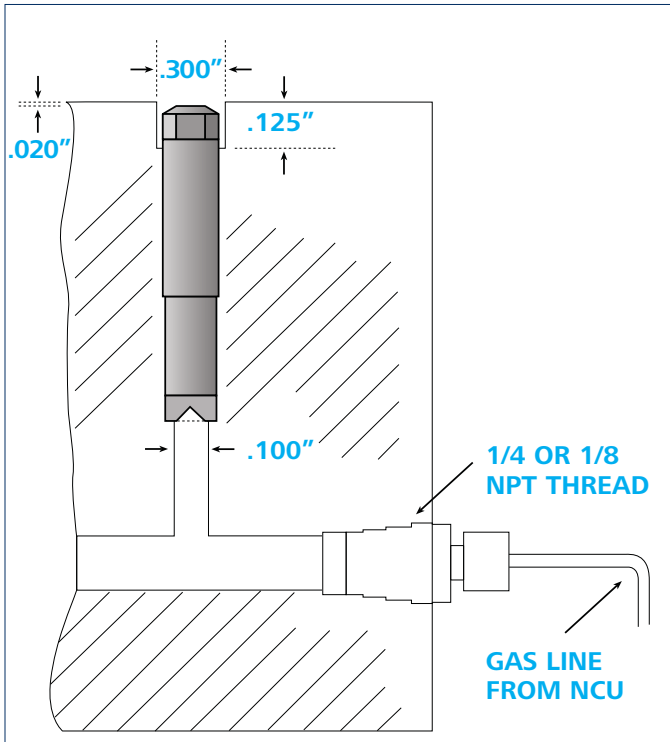
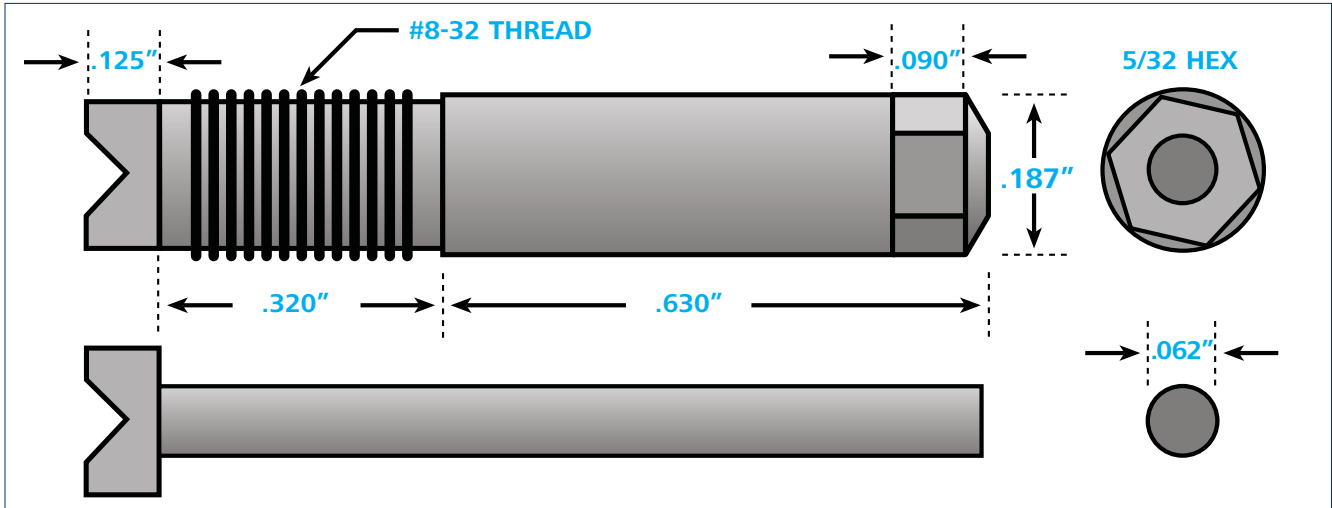


INJ-0001

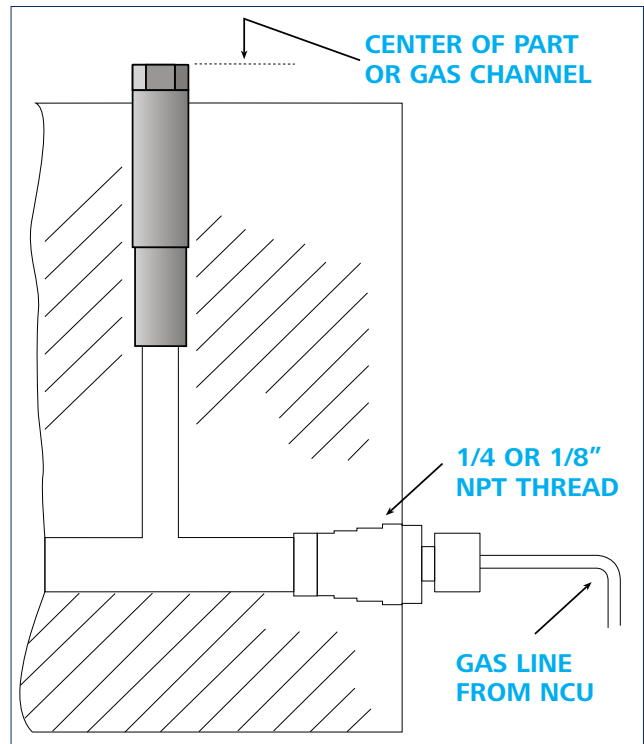
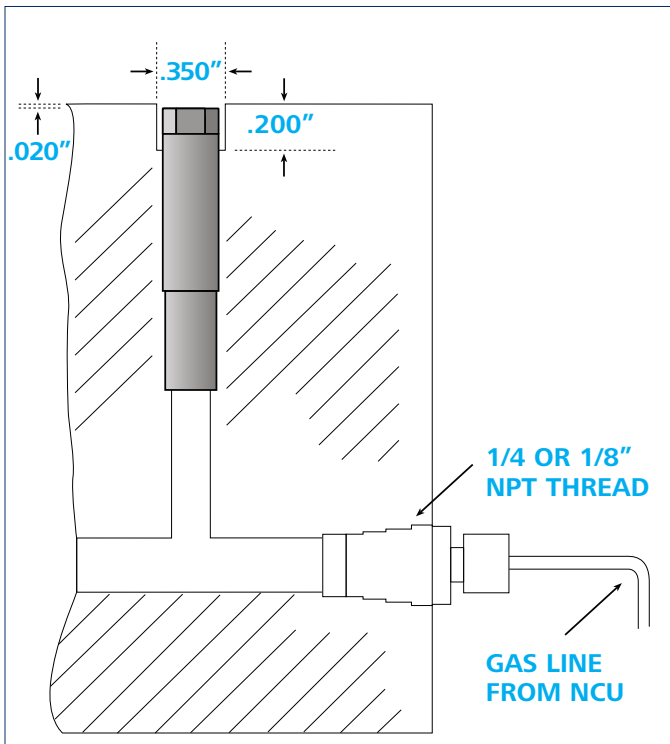
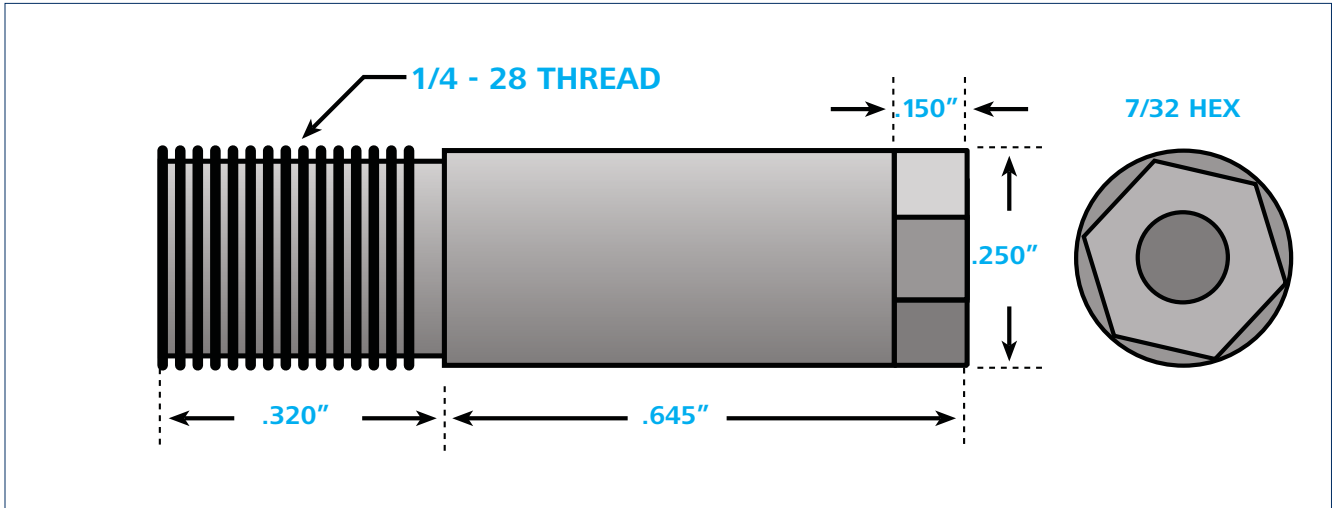
3/16" Gas Injector Pin



Custom gas injector pins available on request.

INJ-0016

1/4" Gas Injector Pin



Custom gas injector pins available on request.